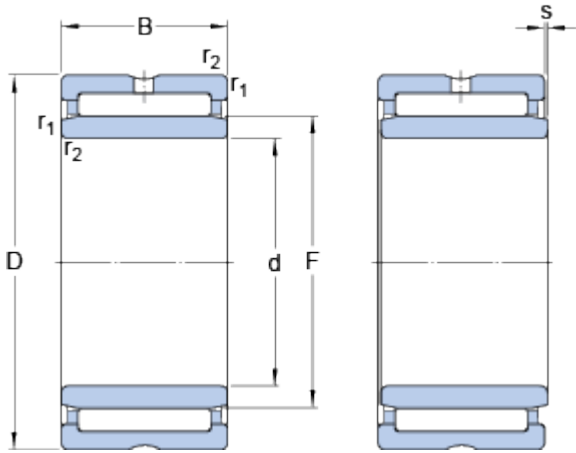


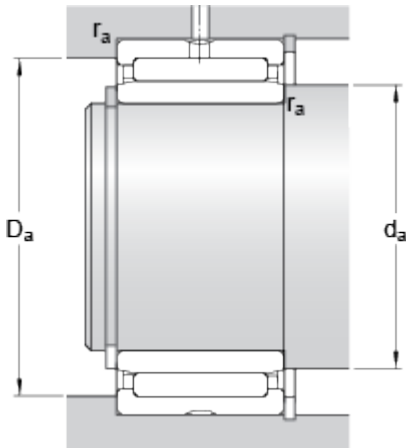
NA 4822

Dimensions



| | | | |
|------------------|------|-----|----|
| d | | 110 | mm |
| D | | 140 | mm |
| B | | 30 | mm |
| F | | 120 | mm |
| r _{1,2} | min. | 1 | mm |
| s | | 0.8 | mm |

Abutment dimensions



| | | | |
|----------------|------|-----|----|
| d _a | min. | 115 | mm |
| D _a | max. | 135 | mm |
| r _a | max. | 1 | mm |

Calculation data

| | | | |
|---------------------------|----------------|------|-------|
| Basic dynamic load rating | C | 93.5 | kN |
| Basic static load rating | C ₀ | 232 | kN |
| Fatigue load limit | P _u | 27 | kN |
| Reference speed | | 3400 | r/min |
| Limiting speed | | 3800 | r/min |

Mass

| | | | |
|--------------|--|------|----|
| Mass bearing | | 1.08 | kg |
|--------------|--|------|----|